



Main

Range of product	Modicon M340 automation platform
Product or component type	Discrete output module
Electrical connection	20-way connector
Discrete output number	16
Discrete output type	Triac
Discrete output voltage	100...240 V 85...288 V AC

Complementary

Current per channel	≤ 0.6 A
Leakage current	≤ 1.5 mA at state 0 120 V ≤ 3 mA at state 0 240 V
[Ures] residual voltage	≤ 1.5 V at state 1
Insulation resistance	> 10 MOhm 500 V DC
Response time on output	≤ 1 ms resistive activation ≤ 1 ms resistive deactivation
Typical current consumption	100 mA at 3.3 V DC
Protection type	1 external fuse fast blow
Output overload protection	With varistor
Inrush current	≤ 20 A
Current per output common	≤ 2.4 A
Output current limits	0.025...4.8 A
Status LED	1 LED green for module operating (RUN) 1 LED per channel green for channel diagnostic 1 LED red for module I/O 1 LED red for module error (ERR)

Environment

IP degree of protection	IP20
Standards	IEC 664

UL 508
IEC 1131-2
NF C 63-850
UL 746C
CSA C22.2 No 142

Dielectric strength	2830 V AC at 50/60 Hz 1 min
Ambient air temperature for operation	0...60 °C
Relative humidity	10...95 % without condensation
Protective treatment	TC

Offer Sustainability

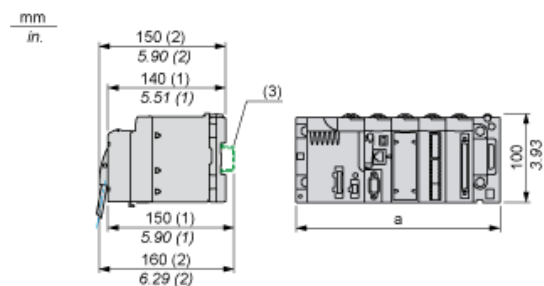
Sustainable offer status	Green Premium product
RoHS (date code: YYWW)	Compliant - since 0805 - Schneider Electric declaration of conformity Schneider Electric declaration of conformity
REACH	Reference not containing SVHC above the threshold Reference not containing SVHC above the threshold
Product environmental profile	Available Product environmental
Product end of life instructions	Available End of life manual

Contractual warranty

Warranty period	18 months
-----------------	-----------

Modules Mounted on Racks

Dimensions

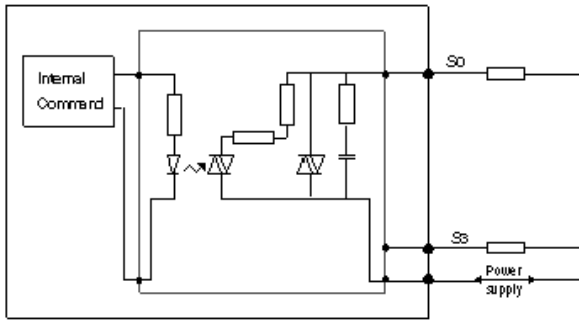


- (1) With removable terminal block (cage, screw or spring).
- (2) With FCN connector.
- (3) On AM1 ED rail: 35 mm wide, 15 mm deep. Only possible with BMXXBP0400/0400H/0600/0600H/0800/0800H rack.

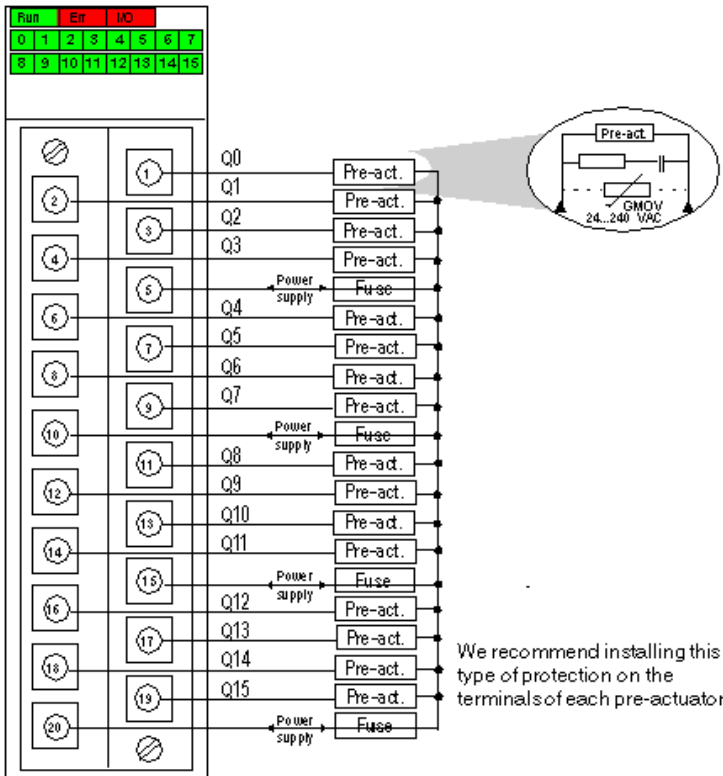
Rack references	a in mm	a in in.
BMXXBP0400 and BMXXBP0400H	242.4	09.54
BMXXBP0600 and BMXXBP0600H	307.6	12.11
BMXXBP0800 and BMXXBP0800H	372.8	14.68
BMXXBP1200 and BMXXBP1200H	503.2	19.81

Connecting the Module

Output Circuit Diagram



Module Connection



power 160, 240 VAC

fuse 1 fast blow fuse of 3 A for each 4-channel group